



Institute for Development and Research in Banking Technology

(Established by Reserve Bank of India)

Castle hills, Road No. 1, Masabtank, Hyderabad – 500 057 Ph: (040) 23294185 & 82; Fax: (040) 23535157; Ext. 1085 Web:www.idrbt.ac.in

Replacement of cables and allied equipments of the internal communication system in IDRBT

Sealed quotations are invited for Replacement of cables and allied equipments of the internal communication system in IDRBT premises and should be addressed to the Director, IDRBT, Masabtank, Hyderabad, so as to reach IDRBT not later than 17.00 hrs **on 28.03.2016 with an EMD of Rs 18,000/-**.

1. The Institute reserves the right to accept or reject any or all the quotations in full or in part without assigning any reasons thereof and also reserves the right to accept the quotation of any firm partly or fully.
2. The quotation shall be valid for a period of 60 days from the date of opening of the same.
3. The firm is requested to quote unit rates and amounts separately in the enclosed Performa (Bill of Quantity) only. (Annexure - 1)
4. **The firm shall furnish Earnest Money Deposit in the form of a Demand Draft in favour of IDRBT, Hyderabad for a sum of Rs 18,000/-**. The EMD does not carry any interest and the same would be released after completion of Defects Liability Period (DLP) of one year from the date of completion of work to the successful bidder OR on submission of Bank Guarantee for said amount and said period. Quotation, which is not accompanied by EMD in the form of DD / BG, will not be considered. However, EMD will be returned to the unsuccessful bidder after placing the work order with successful bidder.
5. The rates quoted shall be inclusive of all taxes, duties, levies, transport, packing, forwarding charges, and installation charges etc.
6. TDS will be deducted from the payments made to the firm as per IT rules. The firm has to submit details of PAN card and Bank details for receiving payment through EFT.
7. The payments for the work will be made by IDRBT Hyderabad & the work is to be done in Admin & EFC Buildings in IDRBT premises, Hyderabad.
8. The firm may consult Institute's Engineer, Mr. Anurag Nanda (Cell: 9617773419) and should thoroughly acquaint themselves with the nature and scope of the work before quoting, if required.
9. The entire work shall be completed within **60 days** from the date of work order, failing which Liquidated Damages (LD) at the rate of 0.25% of the tender cost per week for the delay in completion of work beyond the stipulated period with an upper ceiling of 5% of the contract amount will be levied.
10. The following terms of payment will apply to the contract.
 - a) 95% of the quoted rate will be released after completion work an actual measurement basis.


- b) Balance 5% of the quoted rate will be released after expiry of defects liability period of one year OR on submission of Bank Guarantee for said amount for said period.
11. The details of similar work done of value not less than Rs 6.00 lac during the last 3 years shall be furnished.
 12. The firm shall make good all the damages caused to the Institute's property during the execution of the work at no extra cost.
 13. All the debris & wastage generated during the course of work and balance unused material has to be removed from the site by the contractor at his own cost as instructed by the EIC from time to time.
 14. The quoting firm shall be fully responsible for all type of loss, damages during the execution of the work including Mishap / Accident to any person.
 15. The firm should quote on the above terms and conditions as per the enclosed bill of quantities and no deviations are being allowed. The quotation will not be considered if any deviation found in the above terms and conditions.
 16. The **EMD will be forfeited**, if the firm fails to execute the work after placing the work order.
 17. The materials proposed to be used should primarily be approved by Institute's Engineer before installation and the work is to be carried out in consultation with Institute's Engineer from time to time.
 18. Drawings of the work are enclosed in Annexure – 2.
 19. The firm shall produce the Original bills of the raw materials procured.
 20. No price escalation would be allowed in the entire tenure of the work.
 21. The firm is liable to do any work that is related to satisfactory completion of the entire work & is beyond the scope of the tender up to a maximum of 10% of the tendered amount. The payments for such work would be made on mutually agreed rates.
 22. The bidder can't sub-let the work without the prior written permission of the principle employer.

UNDERTAKING

We have read and understood the above mentioned terms and conditions and hereby convey our acceptance of the same as it is.

Date:
Place:

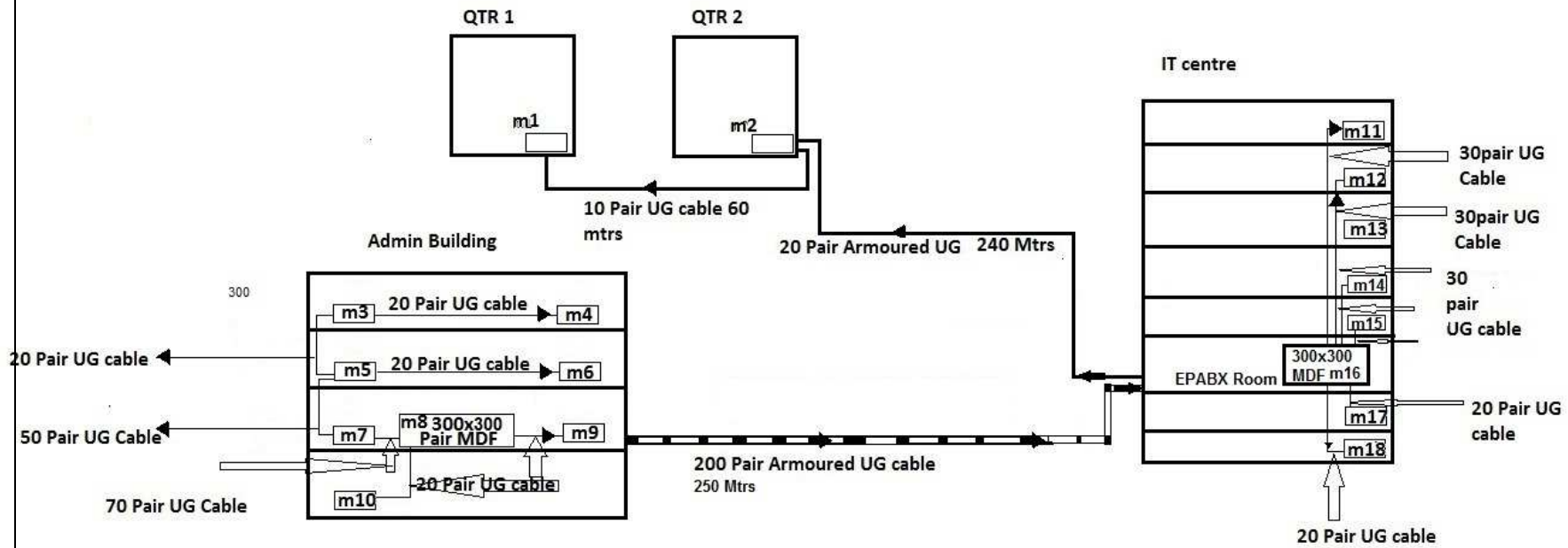
Annexure – 1

 ESTATE DEPARTMENT, IDRBT, MASAB TANK, HYDERABAD						
<u>Replacement of cables and allied equipments of the Internal Communication System</u>						
No.	Description of Item	UOM	Qty.	Rate (In Rs.)	Rate in Words	Amount (In Rs.)
1	300 X 400 Pair MDF with Lock, Key & Modules (KRONE Make)	EACH	2			
2	30 Pairs MDF with Lock, Key & Modules(KRONE Make)	EACH	15			
3	200 Pair Armored Jelly Filled Cable 0.5 MM (FINOLEX Make)	R.MTR	250			
4	50 Pair Armored Jelly Filled Cable 0.5 MM (FINOLEX Make)	R.MTR	50			
5	20 Pair Armored Jelly Filled Cable 0.5 MM (FINOLEX Make)	R.MTR	700			
6	10 Pair Armoured Jelly Filled Cable 0.5 MM (FINOLEX Make)	R.MTR	150			
7	2 Pair PVC Cable 0.5 MM (Delton)	R.MTR	10000			
8	5 Pair PVC Cable 0.5 MM (Delton)	R.MTR	400			
9	10 Pair PVC Cable 0.5 MM (Delton)	R.MTR	200			
10	Digging of Trench for laying Underground cable and refilling with the excavated soil/Concrete/Bitumen.	R.MTR	270			
11	Clamping with metal Clamps and Fixing of Underground cables to the walls with neat routing.	R.MTR	850			
13	Installation, testing and commissioning of MDF including proper termination of cables and identifiers.	LUMP SUM	1			
14	Removal of old MDF, Cables etc	LUMP SUM	1			
	Subtotal Amount					
	Discount if any					
	Subtotal amount after discount					
	Buyback of removed Items	LUMP SUM	(-)			
	Grand total Amount					

Amount in words -: Rs.

Note: - The above items include cost and conveyance of raw materials, labor charges for fixing, transportation charges, all taxes and duties, all civil works including plastering etc. complete for finished item of work. The bidder shall quote accordingly. No price escalation would be allowed after submission of tender document.

Annexure – 2



IDRBT Cabling & Routing Schematic Diagram

Cable routing:

From M16 to M11,m12 & M13 :(20+10): 30 Pair UG cable will be laid

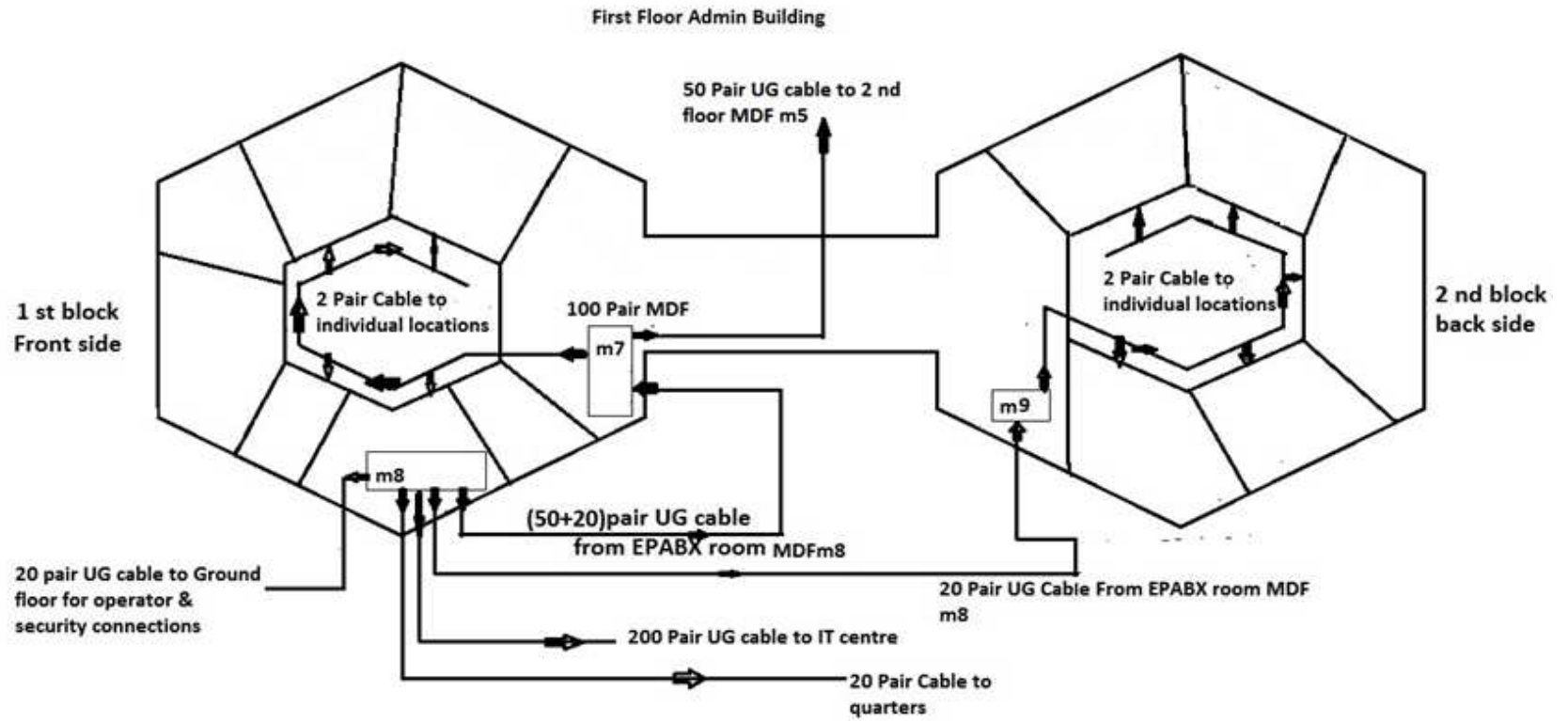
From M16 to m15 & m 16 :(20+10): 30 Pair UG cable will be laid

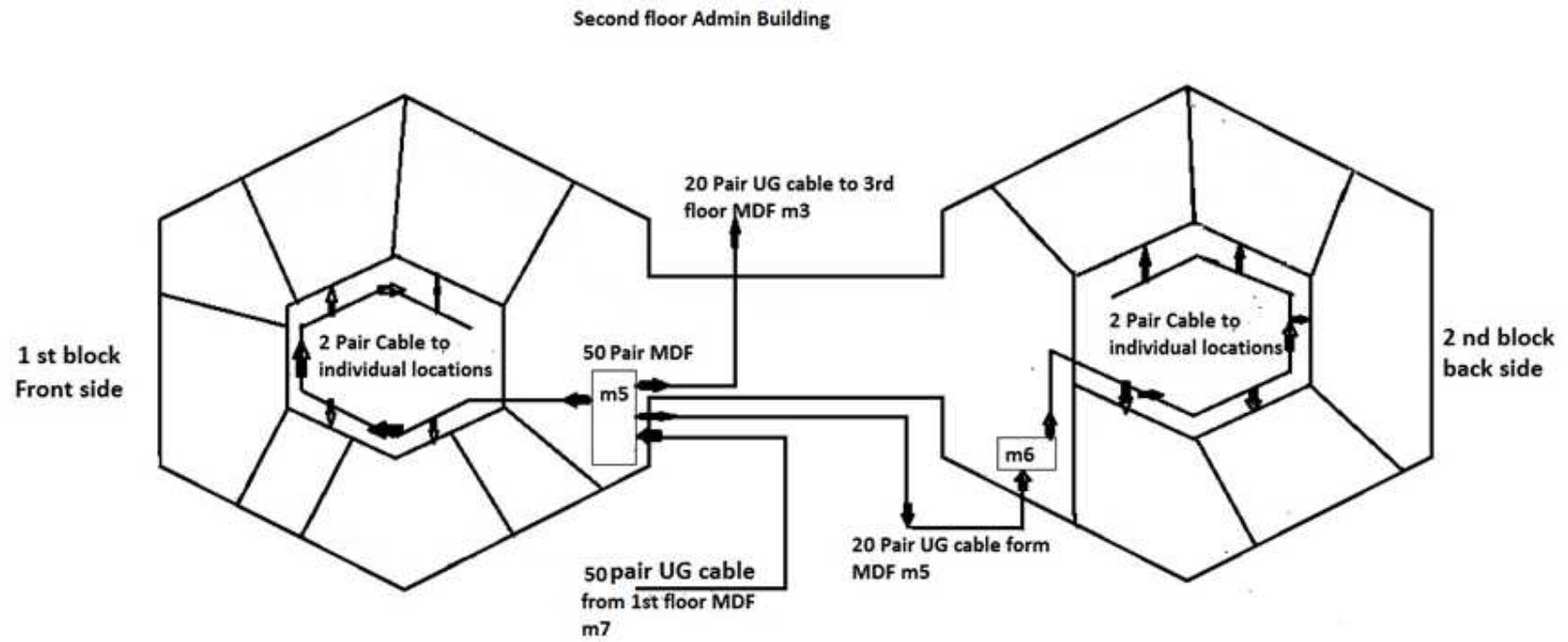
From M16 to m17& m 18 : 20 Pair UG cable will be laid

M16: 300X300 Pair MDF with Lock & Key
m11,12,13,15,14.17.& 18 : 30 P MDF with lock&key

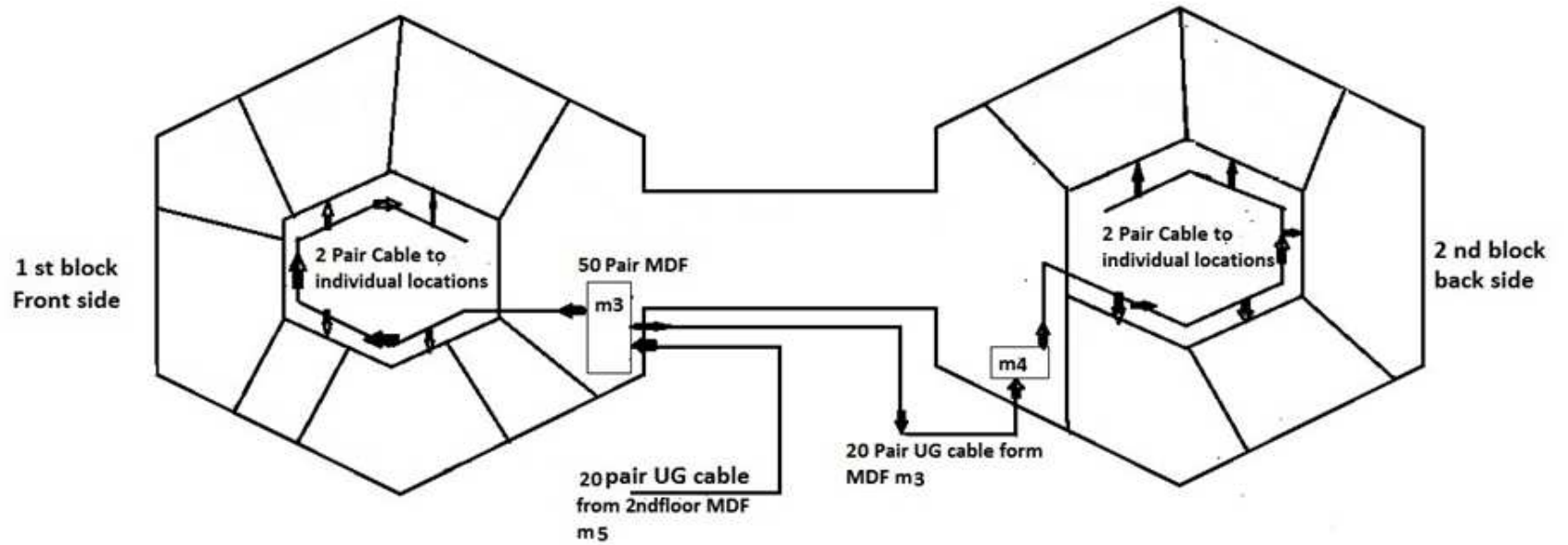
All MDF are Located & fixed at back stair case of the IT Centre Building.



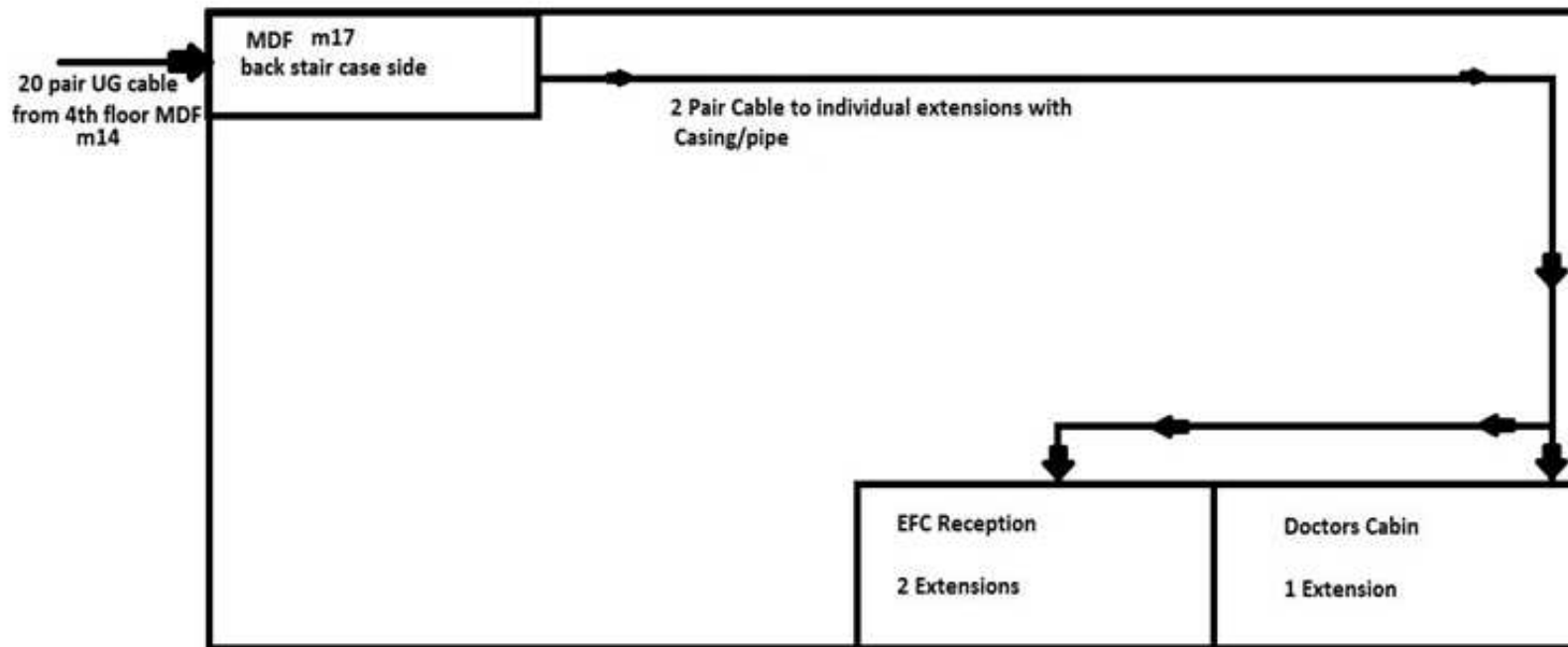




Third floor Admin Building



1 St Floor



2 Nd floor

